

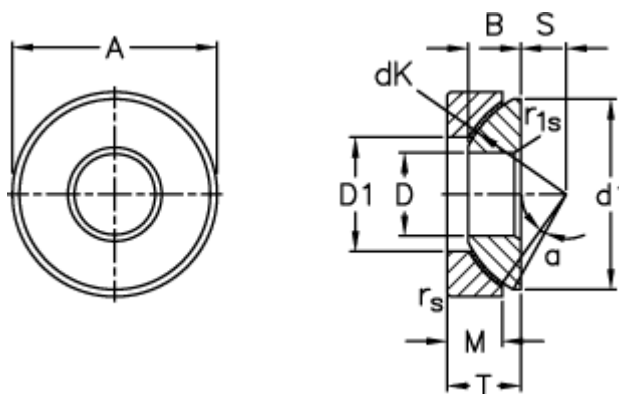
Data Sheet



Article number: 03512040

Description: Fluro Rod end GE 40AW

Measures



A	= 105 0 -0,015	rs, r1s min	= 1
B	= 27	S	= 24.5
D	= 40 0 -0,012	Static axial load C0 (kN)	= 1460
d1 max	= 97	T	= 32 +0,25 -0,40
D1 min	= 59	Tilt angle	= 6
dK	= 114	Weight	= 1590
Dynamic axial load C (kN)	= 745		
M	= 21.5		